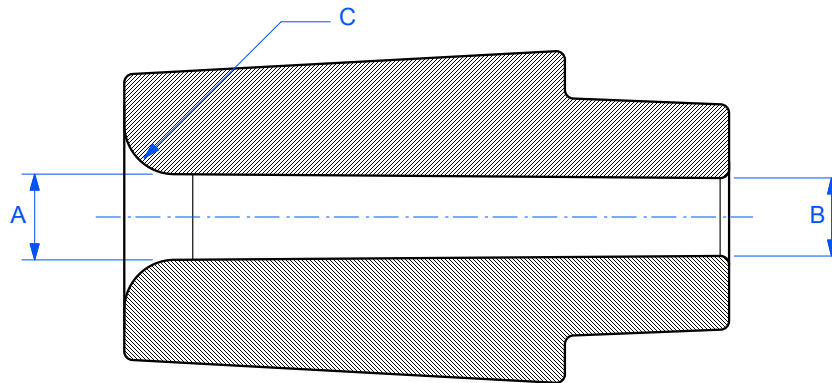
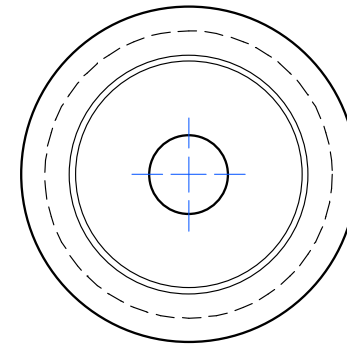
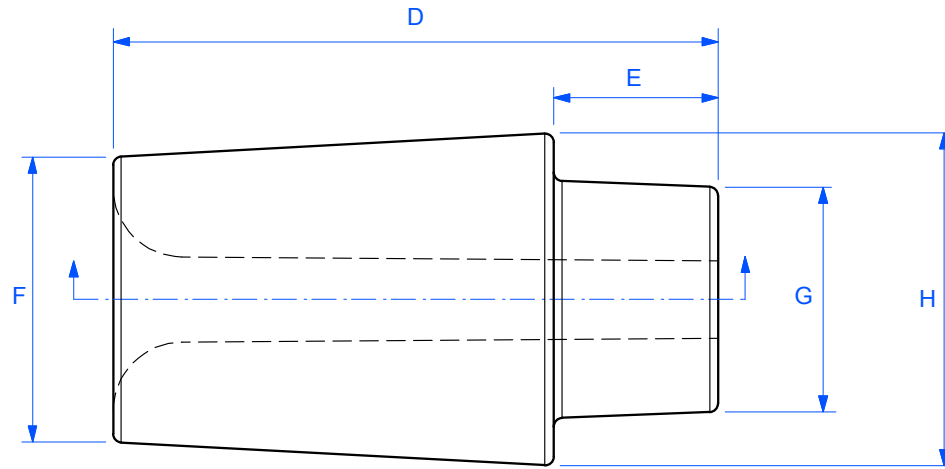


Item	A	B	C	D	E	F	G	H
1-1/8"	1-3/8"	1-1/8"	1-3/16"	8-3/4"	2-3/8"	4-1/8"	3-1/8"	4-13/16"
1-1/4"	1-1/4"	1-1/4"	1-1/2"	4-3/4"	11/16"	4-3/4"	3-7/16"	5-5/16"
1-3/4"	1-3/4"	1-3/4"	1-3/16"	7-1/8"	2-3/8"	4-5/16"	3-1/8"	4-13/16"
40mm	1.58"	1.58"	1.97"	8.86"	2.48"	4.13"	3.27"	4.61"



Title: Nozzle Data Sheet		
Scale: *Not to scale	Drawn by	TM
Date: 10/14/19	Approved by	RCO
Revision: B		
<small>This document and the information contained therein is proprietary to Industrial Ceramic Products, Inc and shall not be used or disclosed to others, in whole or in part, without the written authorization of Industrial Ceramic Products, Inc.</small>		

